

## Breathe Healthier



Designed & Assembled  
in Michigan, USA

## Climate Control Technology

- Contemporary Design For Living Space Mounting
- Manual Operation - Easy to Use
- Easy Control Mechanism
- Accurate
- Quick, Easy Installation
- Wall or Duct Mount
- Use As Dehumidistat With Optional Dehumidistat Dial

Our Brands

GeneralAire

Second  
Wind

General

Desert Spring  
Products



**Canadian General Filters**  
**Limited**

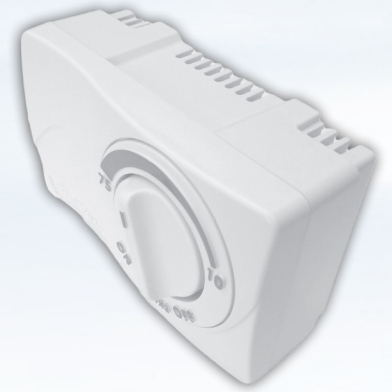
400 Midwest Rd.  
Toronto, ON M1P 3A9  
Canada  
Toll Free: (888) 216-9184  
www.generalaireiaq.ca  
sales@generalaireiaq.ca

**Humidistat**  
 Residential Whole-House  
**GF-MHX3**  
 Manual Humidistat

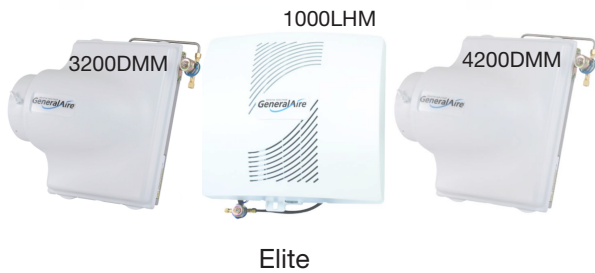
**How the GF-MHX3 Works**

The humidistat works on a very simple principal. Any variation in the relative humidity level will cause an electrical resistance between the two sets of conductors on the sensing element. Because there are alternating metal conductors, the amount of electrical resistance between the two can be accurately predicted based on the relative humidity. This resistance is measured by the relay amplifier. When the electrical resistance indicates that the humidity level is below the desired level, the relay will turn the humidifier on to raise the humidity level. When the proper humidity level is reached, judged by the electrical resistance between the conductors, the relay will turn the humidifier off.

- Turn towards the 75 for more humidity.
- Turn towards the 10 for less humidity.



**The GF-MHX3 is Included with all GeneralAire® Legacy, Elite and Drum Model Humidifiers**



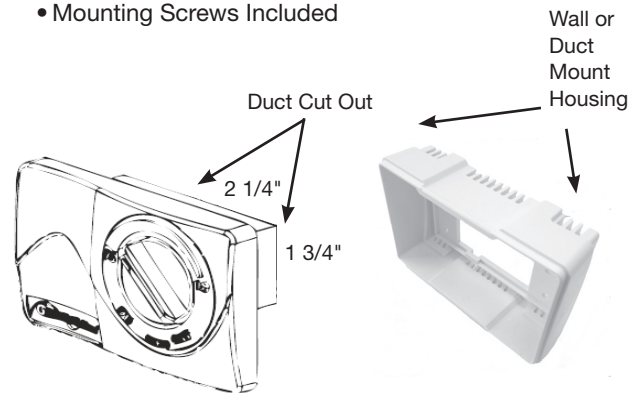
Elite



Legacy

**Specifications**

- Humidity Range: 10% - 85%
- 30 VAC, 60 VAC
- 120 V
- Duct Cut-Out Dimensions: 2 1/4" x 1 3/4"
- Color: Light Beige
- Mounting Screws Included



**Accessories / Replacement Parts**

- CRD3 Comfort Dial
- DHD3 Dehumidistat Dial
- WMH3 Wall Mount Housing



WMH3

