

GeneralAire® Humidifier Model 1099LHS

Spec Sheet

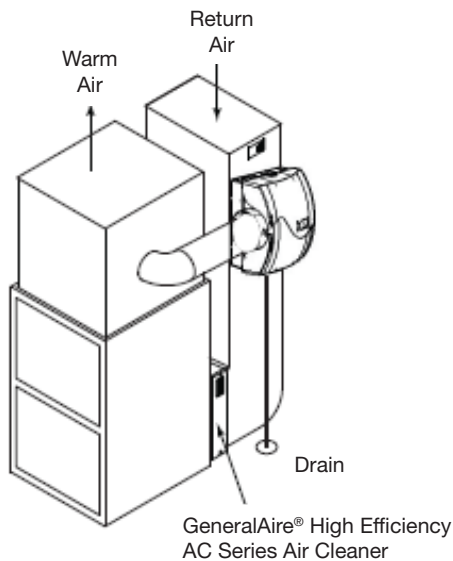
Specifications:

- **Model:** 1099LHS Legacy Flow Through Humidifier (GFI #5015)
- **Type:** Flow Through
- **GPD:** 19 Based on 120° Plenum Temperature
- **Warranty:** 5 Years
- **Replacement Vapor Pad®:** 1099-20 (GFI#7047)
(Replace 1-2 times per season)
- **Dimensions:** 16" W x 16" H x 11" D
- **Weight:** 15 Lbs.
- **Home Size:** To 3,000 Sq. Ft.
- **Installation:** Warm Air Plenum / Right or Left
- **Plenum Opening:** 13.25" W X 9.25" H
- **Bypass Duct:** 7"
- **Pallet Qty:** 16
- **Cabinet Construction:** DuraPlast® Ultra-Violet Stable Automotive Grade Plastic
- **Humidistat:** Models: MHX3C (Included)
- **In Box:** Humidifier, humidistat, Installation Instructions, Vapor Pad®, Parts Kit, Saddle Valve, 7" Connecting Collar, 24V Transformer.
- **Voltage:** 24V

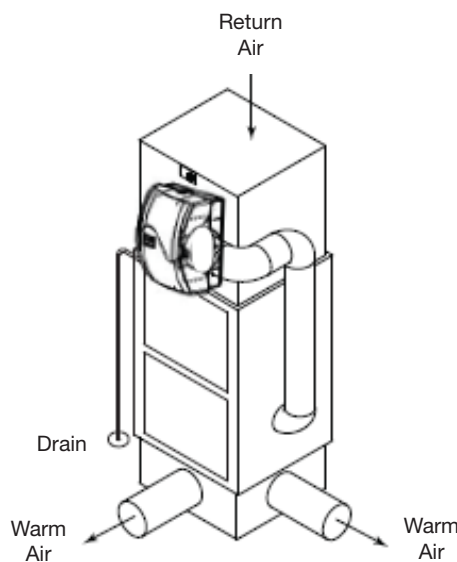


MHX3C
Manual Humidistat
GFI #7038
Included

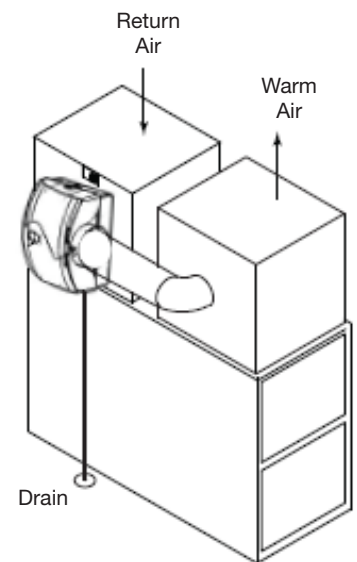
Typical Installation



High Boy



Counter Flow



Low Boy

GeneralAire® Humidifier Model 1099LHS

Spec Sheet

Expected Humidity Performance Coverage in Sq. Ft. Based on Construction Type:

Model No.	GPD	Loose (0.75 AC/H)	Average (0.50 AC/H)	Tight (0.30 A/CH)
1042LH	17	800 Sq. Ft.	1500 Sq. Ft.	2800 Sq. Ft.
1099LHS	19	1175 Sq. Ft.	1770 Sq. Ft.	3000 Sq. Ft.
1137	18	1175 Sq. Ft.	1770 Sq. Ft.	3000 Sq. Ft.
SL16	17	800 Sq. Ft.	1500 Sq. Ft.	2800 Sq. Ft.

Go to [www.generalaire.com / support center / humidification calculator](http://www.generalaire.com/support-center/humidification-calculator) to assist in humidifier selection.

Humidifier Performance Baseline Criteria

Outside Design Temp.	0°F (-18°C)
Outside Design R.H.	70% R.H.
Inside Design Temp.	70°F (21°C)
Inside Design R.H.	30% R.H.
Air Changes / Hour (AC/H)	0.30
Ceiling Height	8 ft.
Furnace Plenum Temp.	120°F (49°C)
Furnace Run Time for Calculating Sq. Ft.	8 Hr. / Day

Recommended Settings:

At Outside Temperature		Recommended Setting
-20°F	-29°C	15%
-10°F	-23°C	20%
0°F	-18°C	25%
10°F	-12°C	30%
20°F	-7°C	35%
30°F	-1°C	40%