

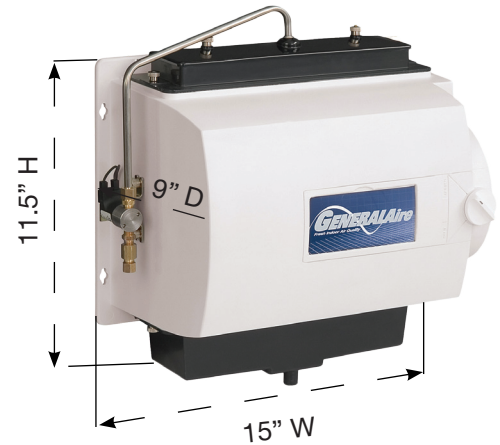


**GeneralAire® Models GF1042LH**  
Flow Through Humidifier

**Spec Sheet**

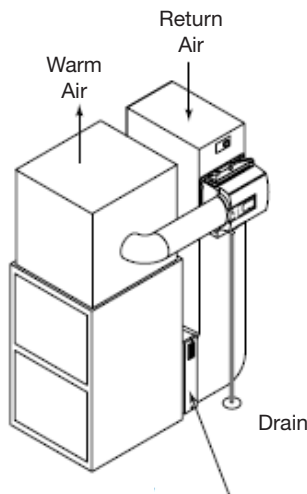
**Specifications:**

- **Model:** 1042LH Legacy Flow Through Humidifier
- **Type:** Flow Through
- **GPD:** 17 Based on 120°F / 49°C Degree Plenum Temperature
- **Warranty:** 5 Years
- **Replacement Vapor Pad®:** 1090-13  
(Replace 1-2 times per season)
- **Dimensions:** 15" W x 11.5" H x 9" D
- **Weight:** 13 Lbs.
- **Home Size:** To 2,800 Sq. Ft.
- **Installation:** Warm Air Plenum / Right or Left
- **Plenum Opening:** 10.25" W X 9.5" H
- **Bypass Duct:** 6"
- **Pallet Qty:** 30
- **Cabinet Construction:** DuraPlast® Ultra-Violet Stable Automotive Grade Plastic
- **Humidistat:** Models: MHX3C (Included)
- **In Box:** Humidifier, humidistat, Installation Instructions, Vapor Pad®, Parts Kit, Drain Hose, Transformer, Metal Distributor Tube, Damper, 15' 5/8" Drain Hose, Drain Pan, Solenoid Valve.
- **Voltage:** 24V



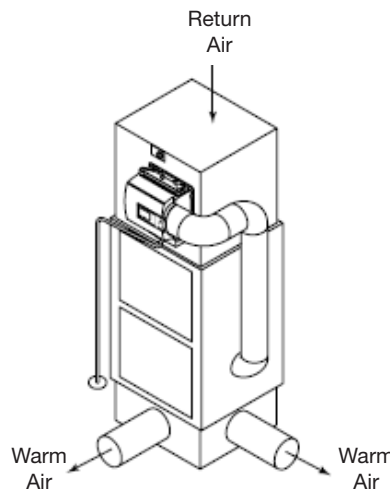
MHX3  
Manual Humidistat  
Included

**Typical Installations**

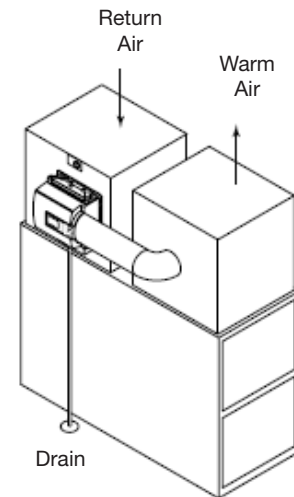


High Boy

GeneralAire® High Efficiency  
AC Series Air Cleaner



Counter Flow



Low Boy





**GeneralAire® Models GF1042LH**  
Flow Through Humidifier

## Spec Sheet

### Expected Humidity Performance Coverage in Sq. Ft. Based on Construction Type:

Model No.	GPD	Loose (0.75 AC/H)	Average (0.50 AC/H)	Tight (0.30 A/CH)
1042LH	17	800 Sq. Ft.	1500 Sq. Ft.	2800 Sq. Ft.
1099LHS	19	1175 Sq. Ft.	1770 Sq. Ft.	3000 Sq. Ft.
1137	18	1175 Sq. Ft.	1770 Sq. Ft.	3000 Sq. Ft.
SL16	17	800 Sq. Ft.	1500 Sq. Ft.	2800 Sq. Ft.

Go to [www.generalaire.com](http://www.generalaire.com) / support center / humidification calculator to assist in humidifier selection.

### Humidifier Performance Baseline Criteria

Outside Design Temp.	0°F (-18°C)
Outside Design R.H.	70% R.H.
Inside Design Temp.	70°F (21°C)
Inside Design R.H.	30% R.H.
Air Changes / Hour (AC/H)	0.30
Ceiling Height	8 ft.
Furnace Plenum Temp.	120°F (49°C)
Furnace Run Time for Calculating Sq. Ft.	8 Hr. / Day

### Recommended Settings:

At Outside Temperature		Recommended Setting
-20°F	-29°C	15%
-10°F	-23°C	20%
0°F	-18°C	25%
10°F	-12°C	30%
20°F	-7°C	35%
30°F	-1°C	40%



General Filters, Inc.  
43800 Grand River Avenue  
Novi, Michigan 48375  
Toll Free: (866) 476-5101  
[www.generalaire.com](http://www.generalaire.com)



Canadian General Filters, Ltd.  
400 Midwest Rd.  
Toronto, ON M1P3A9 Canada  
Toll Free: (888) 216-9184  
[www.cgfproducts.com](http://www.cgfproducts.com)