



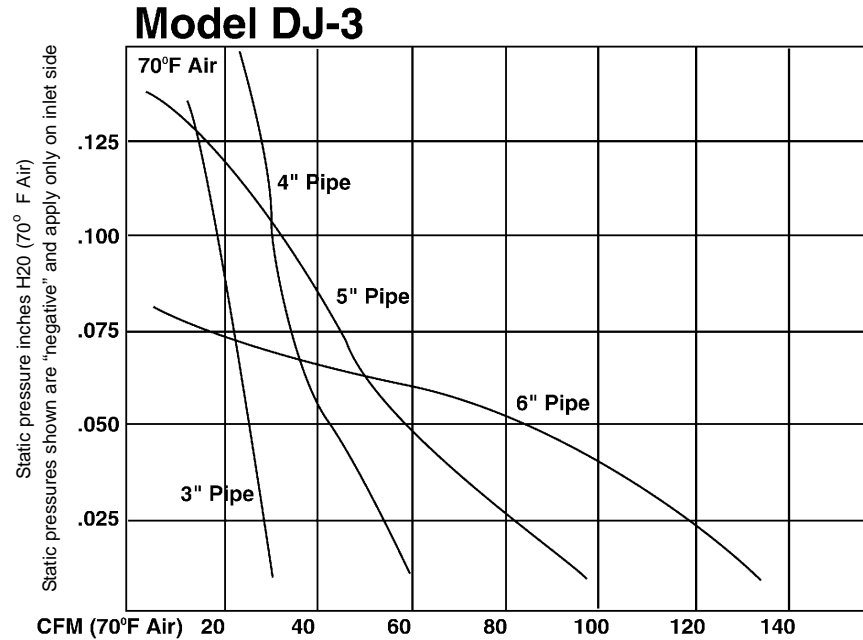
TJERNLUND PRODUCTS, INC.

1601 Ninth Street • White Bear Lake, MN 55110-6794
 PHONE (800) 255-4208 • (651) 426-2993 • FAX (651) 426-9547
 Visit our web site • www.tjernlund.com

MODEL DJ-3 DRAFT INDUCER SPECIFICATIONS

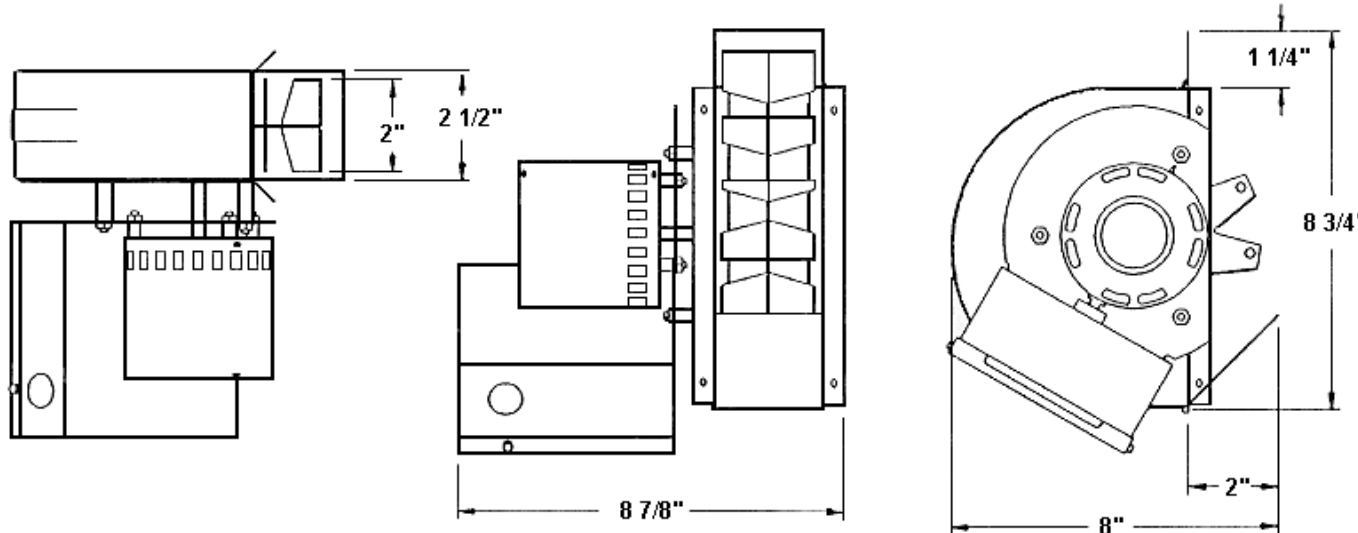
Performance Curves

| MODEL NO. | PIPE SIZE IN. | GAS FIRING WITH DRAFT HOOD | | | | GAS FIRING WITH BAR. DRAFT CONTROL | | | | OIL FIRING WITH BAR. DRAFT CONTROL | | | |
|-----------|---------------|----------------------------|------|----------------|---------|------------------------------------|-----|----------------|------|------------------------------------|-----|----------------|-----|
| | | HEATER BTU INPUT | | 270°F FLUE GAS | | HEATER BTU INPUT | | 390°F FLUE GAS | | HEATER BTU INPUT | | 530°F FLUE GAS | |
| | | S.P. | CFM | S.P. | CFM | S.P. | CFM | S.P. | CFM | S.P. | CFM | S.P. | CFM |
| DJ-3 | 3 | 69,000 | .034 | 48 | 72,000 | .047 | 36 | 58,000 | .048 | 33 | | | |
| | 4 | 105,000 | .042 | 72 | 109,000 | .053 | 55 | 92,000 | .057 | 48 | | | |
| | 5 | 111,000 | .043 | 72 | 104,000 | .052 | 52 | 74,000 | .052 | 39 | | | |
| | 6 | 100,000 | .041 | 68 | 34,000 | .042 | 17 | 25,000 | .035 | 13 | | | |



- Inputs shown are believed to be maximum capacities for inducers when mounted on pipe sizes shown for ordinary jobs where a moderate amount of mechanical induced draft is required.
- Consideration is given to typically higher static pressure requirements for larger installations, for the type of fuel burned and for the type of draft control installed.
- Where pressure requirements are unknown or believed to be unusually severe, ask for complete performance curves or consult factory.
- All ratings have been developed in our testing and research department and have been approved by a nationally known independent testing laboratory. Certification is available upon request.
- Heating capacities shown are for 1000 BTU per cubic foot natural gas and for 139,000 BTU per gallon No. 2 fuel oil. Consult factory for capacities with other fuels. Heating capacities are based on typical combustion efficiencies and allow for approximately 5 percent ambient air drawn into inducer to cool motor and drives.
- Draft Inducers should be installed in single wall vent pipe in order to insure proper performance.

Note: Tjernlund Products, Inc. reserves the right to make changes to specifications without notification.



MOTOR SPECIFICATIONS

ELECTRICAL DATA

| | |
|--------------|------------|
| Volts | 115 |
| Hertz | 60 |
| RPM | 1550 |
| Watts | 35 |
| Amps | .43 |
| Therm. Prot. | Imp. Prot. |

P/N 8506000
 REV. C 11/05



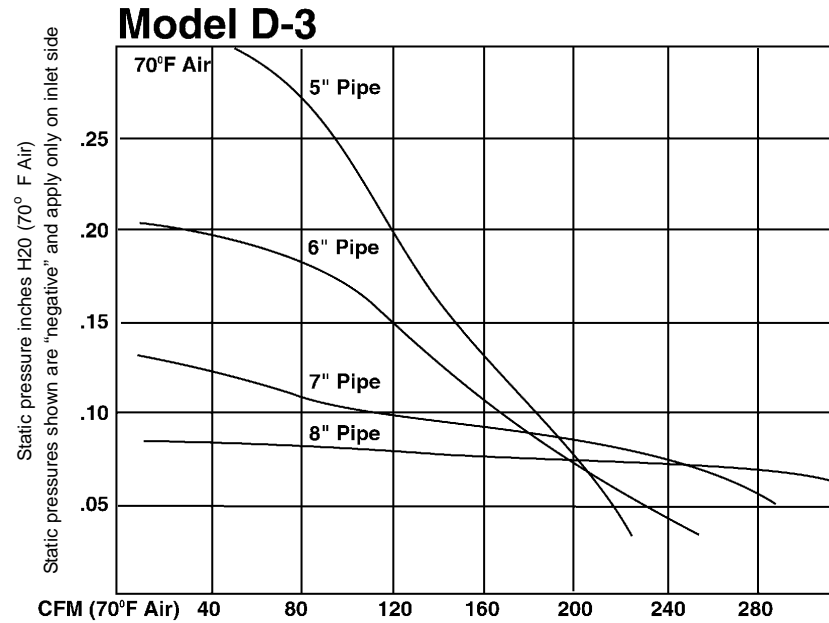
TJERNLUND PRODUCTS, INC.

1601 Ninth Street • White Bear Lake, MN 55110-6794
 PHONE (800) 255-4208 • (651) 426-2993 • FAX (651) 426-9547
 Visit our web site • www.tjernlund.com

MODEL D-3 DRAFT INDUCER SPECIFICATIONS

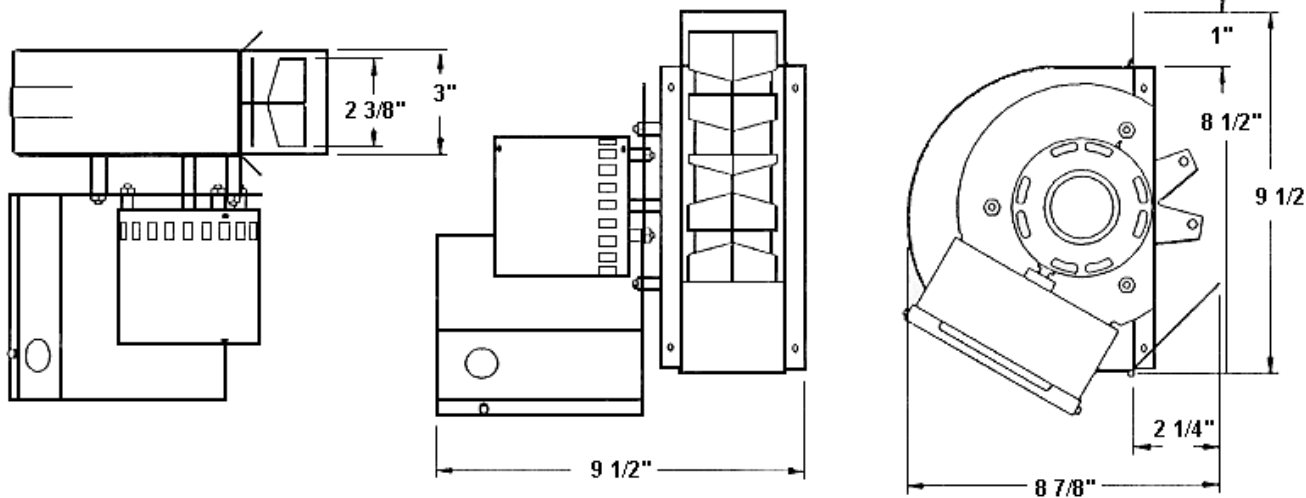
Performance curves

| MODEL NO. | PIPE SIZE IN. | GAS FIRING WITH DRAFT HOOD | | GAS FIRING WITH BAR. DRAFT CONTROL | | OIL FIRING WITH BAR. DRAFT CONTROL | | | | |
|-----------|---------------|----------------------------|----------------|------------------------------------|------------------|------------------------------------|-----|------------------|----------------|-----|
| | | HEATER BTU INPUT | 270°F FLUE GAS | | HEATER BTU INPUT | 390°F FLUE GAS | | HEATER BTU INPUT | 530°F FLUE GAS | |
| | | | S.P. | CFM | | S.P. | CFM | | S.P. | CFM |
| D-3 | 5 | 270,000 | .063 | 190 | 330,000 | .085 | 166 | 295,000 | .092 | 163 |
| | 6 | 356,000 | .073 | 246 | 377,000 | .090 | 190 | 300,000 | .093 | 169 |
| | 7 | 360,000 | .075 | 259 | 330,000 | .085 | 166 | 230,000 | .080 | 118 |
| | 8 | 320,000 | .068 | 217 | 222,000 | .075 | 110 | 123,000 | .065 | 65 |



- Inputs shown are believed to be maximum capacities for inducers when mounted on pipe sizes shown for ordinary jobs where a moderate amount of mechanical induced draft is required.
- Consideration is given to typically higher static pressure requirements for larger installations, for the type of fuel burned and for the type of draft control installed.
- Where pressure requirements are unknown or believed to be unusually severe, ask for complete performance curves or consult factory.
- All ratings have been developed in our testing and research department and have been approved by a nationally known independent testing laboratory. Certification is available upon request.
- Heating capacities shown are for 1000 BTU per cubic foot natural gas and for 139,000 BTU per gallon No. 2 fuel oil. Consult factory for capacities with other fuels. Heating capacities are based on typical combustion efficiencies and allow for approximately 5 percent ambient air drawn into inducer to cool motor and drives.
- Draft Inducers should be installed in single wall vent pipe in order to insure proper performance.

Note: Tjernlund Products, Inc. reserves the right to make changes to specifications without notification.



MOTOR SPECIFICATIONS

ELECTRICAL DATA

| | |
|--------------|------|
| Volts | 115 |
| Hertz | 60 |
| RPM | 1550 |
| Watts | 74 |
| Amps | .96 |
| Therm. Prot. | Yes |



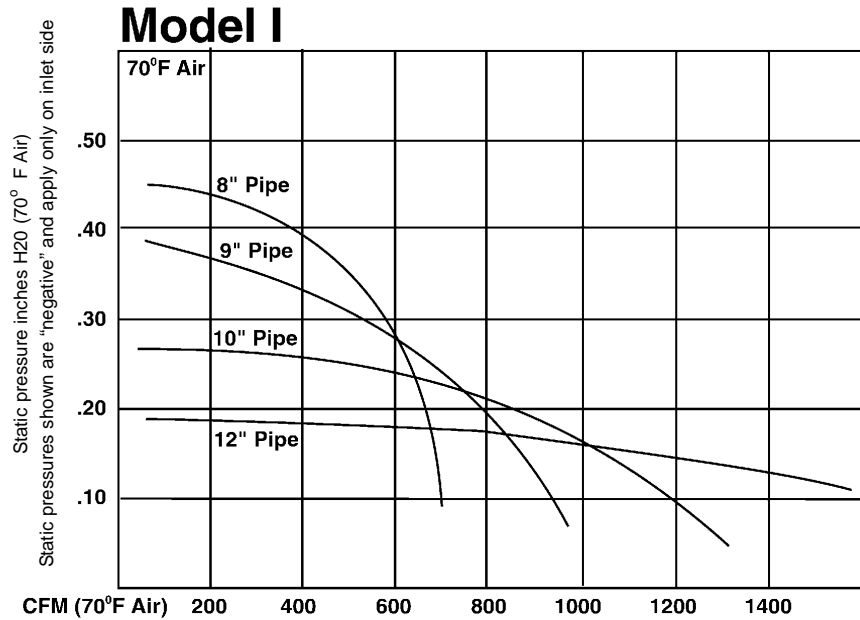
TJERNLUND PRODUCTS, INC.

1601 Ninth Street • White Bear Lake, MN 55110-6794
 PHONE (800) 255-4208 • (651) 426-2993 • FAX (651) 426-9547
 Visit our web site • www.tjernlund.com

MODEL I DRAFT INDUCER SPECIFICATIONS

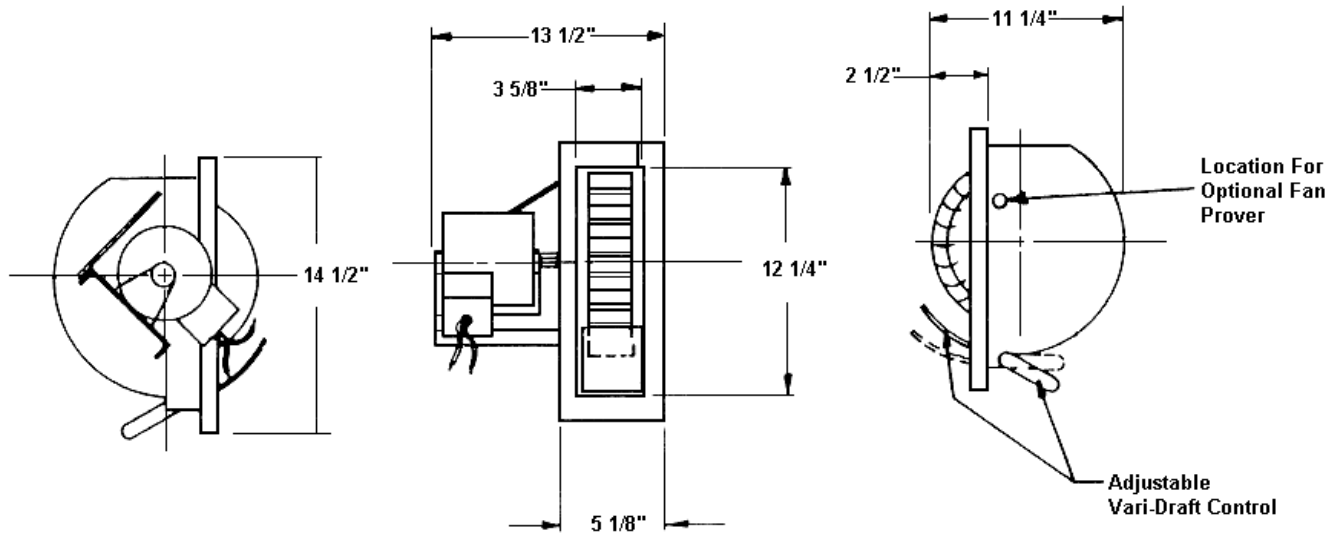
Performance curves

| MODEL NO. | PIPE SIZE IN. | GAS FIRING WITH DRAFT HOOD | | | | GAS FIRING WITH BAR. DRAFT CONTROL | | | | OIL FIRING WITH BAR. DRAFT CONTROL | | | |
|-----------|---------------|----------------------------|------|----------------|-----------|------------------------------------|-----|----------------|------|------------------------------------|-----|----------------|--|
| | | HEATER BTU INPUT | | 270°F FLUE GAS | | HEATER BTU INPUT | | 390°F FLUE GAS | | HEATER BTU INPUT | | 530°F FLUE GAS | |
| | | S.P. | CFM | S.P. | CFM | S.P. | CFM | S.P. | CFM | S.P. | CFM | | |
| I | 8 | 900,000 | .125 | 590 | 1,200,000 | .143 | 603 | 1,100,000 | .147 | 566 | | | |
| | 9 | 1,110,000 | .135 | 765 | 1,330,000 | .150 | 653 | 1,100,000 | .148 | 566 | | | |
| | 10 | 1,250,000 | .140 | 850 | 1,260,000 | .145 | 615 | 840,000 | .136 | 440 | | | |
| | 12 | 1,030,000 | .128 | 710 | 710,000 | .115 | 357 | 400,000 | .100 | 211 | | | |



- Inputs shown are believed to be maximum capacities for inducers when mounted on pipe sizes shown for ordinary jobs where a moderate amount of mechanical induced draft is required.
- Consideration is given to typically higher static pressure requirements for larger installations, for the type of fuel burned and for the type of draft control installed.
- Where pressure requirements are unknown or believed to be unusually severe, ask for complete performance curves or consult factory.
- All ratings have been developed in our testing and research department and have been approved by a nationally known independent testing laboratory. Certification is available upon request.
- Heating capacities shown are for 1000 BTU per cubic foot natural gas and for 139,000 BTU per gallon No. 2 fuel oil. Consult factory for capacities with other fuels. Heating capacities are based on typical combustion efficiencies and allow for approximately 5 percent ambient air drawn into inducer to cool motor and drives.
- Draft Inducers should be installed in single wall vent pipe in order to insure proper performance.

Note: Tjernlund Products, Inc. reserves the right to make changes to specifications without notification.



MOTOR SPECIFICATIONS

ELECTRICAL DATA

| | |
|--------------|--------|
| Volts | 115 |
| Hertz | 60 |
| RPM | 1725 |
| Watts | 1/4 HP |
| Amps | 5.4 |
| Therm. Prot. | Yes |



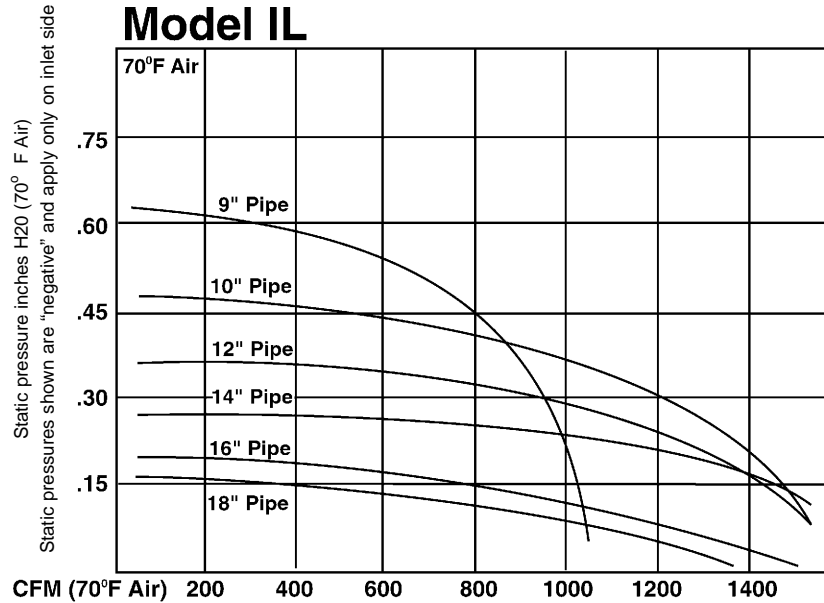
TJERNLUND PRODUCTS, INC.

1601 Ninth Street • White Bear Lake, MN 55110-6794
 PHONE (800) 255-4208 • (651) 426-2993 • FAX (651) 426-9547
 Visit our web site • www.tjernlund.com

MODEL IL DRAFT INDUCER SPECIFICATIONS

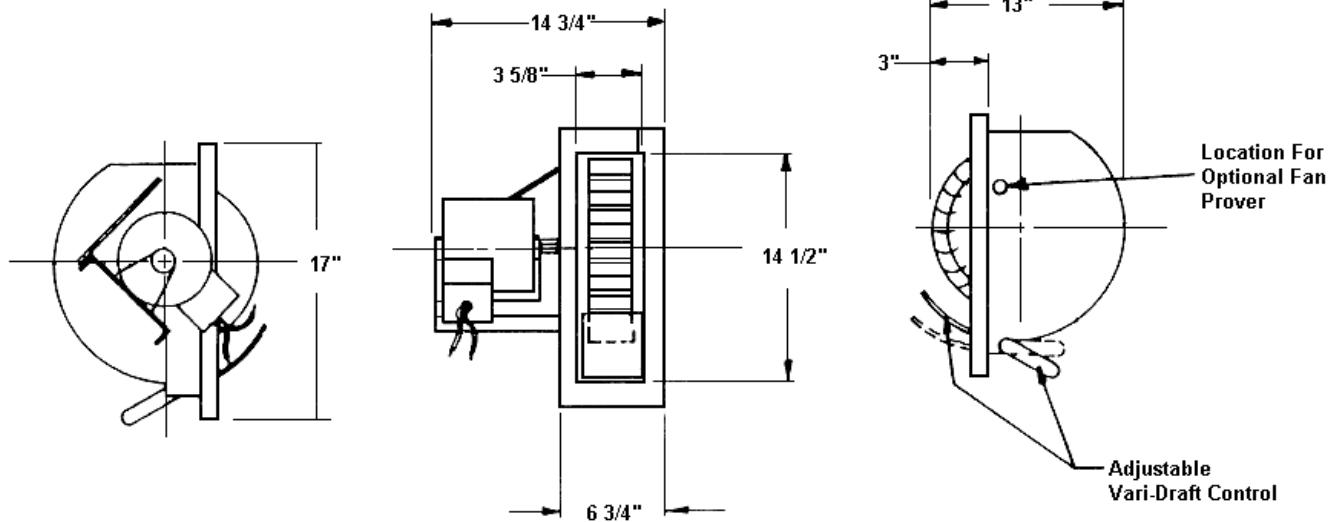
Performance curves

| MODEL NO. | PIPE SIZE IN. | GAS FIRING WITH DRAFT HOOD | | | | GAS FIRING WITH BAR. DRAFT CONTROL | | | | OIL FIRING WITH BAR. DRAFT CONTROL | | | | |
|-----------|---------------|----------------------------|------|----------------|-----------|------------------------------------|------|----------------|------|------------------------------------|-----|----------------|--|--|
| | | HEATER BTU INPUT | | 270°F FLUE GAS | | HEATER BTU INPUT | | 390°F FLUE GAS | | HEATER BTU INPUT | | 530°F FLUE GAS | | |
| | | S.P. | CFM | S.P. | CFM | S.P. | CFM | S.P. | CFM | S.P. | CFM | | | |
| IL | 9 | 1,460,000 | .145 | 1010 | 1,970,000 | .175 | 989 | 1,700,000 | .180 | 900 | | | | |
| | 10 | 2,080,000 | .170 | 1370 | 2,460,000 | .185 | 1240 | 1,900,000 | .180 | 1010 | | | | |
| | 12 | 1,920,000 | .160 | 1325 | 2,230,000 | .182 | 1120 | 1,500,000 | .170 | 789 | | | | |
| | 14 | 1,840,000 | .159 | 1270 | 1,470,000 | .158 | 740 | 825,000 | .135 | 453 | | | | |
| | 16 | 900,000 | .120 | 620 | 650,000 | .113 | 340 | 350,000 | .095 | 184 | | | | |
| | 18 | 650,000 | .099 | 450 | 440,000 | .095 | 220 | 200,000 | .075 | 106 | | | | |



- Inputs shown are believed to be maximum capacities for inducers when mounted on pipe sizes shown for ordinary jobs where a moderate amount of mechanical induced draft is required.
- Consideration is given to typically higher static pressure requirements for larger installations, for the type of fuel burned and for the type of draft control installed.
- Where pressure requirements are unknown or believed to be unusually severe, ask for complete performance curves or consult factory.
- All ratings have been developed in our testing and research department and have been approved by a nationally known independent testing laboratory. Certification is available upon request.
- Heating capacities shown are for 1000 BTU per cubic foot natural gas and for 139,000 BTU per gallon No. 2 fuel oil. Consult factory for capacities with other fuels. Heating capacities are based on typical combustion efficiencies and allow for approximately 5 percent ambient air drawn into inducer to cool motor and drives.
- Draft Inducers should be installed in single wall vent pipe in order to insure proper performance.

Note: Tjernlund Products, Inc. reserves the right to make changes to specifications without notification.



MOTOR SPECIFICATIONS

ELECTRICAL DATA

| | |
|--------------|--------|
| Volts | 115 |
| Hertz | 60 |
| RPM | 1725 |
| Watts | 1/4 HP |
| Amps | 5.4 |
| Therm. Prot. | Yes |



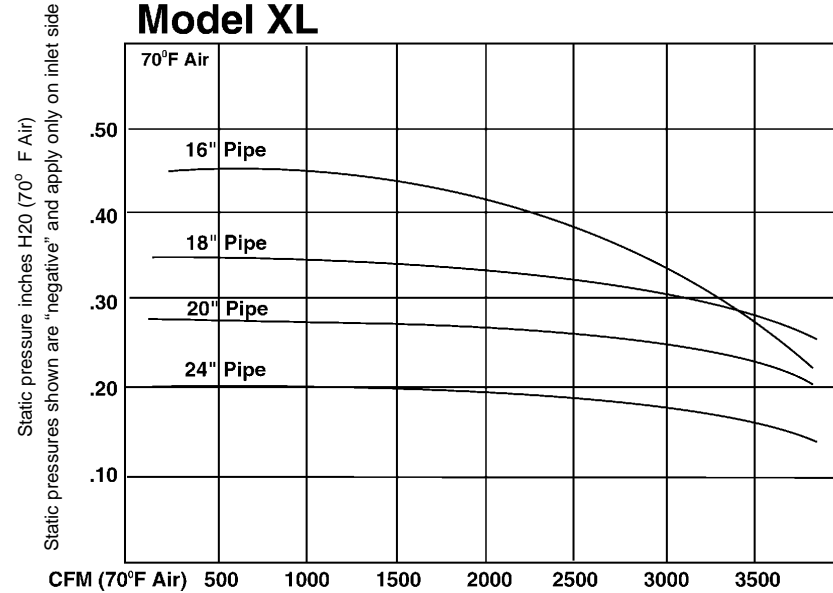
TJERNLUND PRODUCTS, INC.

1601 Ninth Street • White Bear Lake, MN 55110-6794
 PHONE (800) 255-4208 • (651) 426-2993 • FAX (651) 426-9547
 Visit our web site • www.tjernlund.com

MODEL XL DRAFT INDUCER SPECIFICATIONS

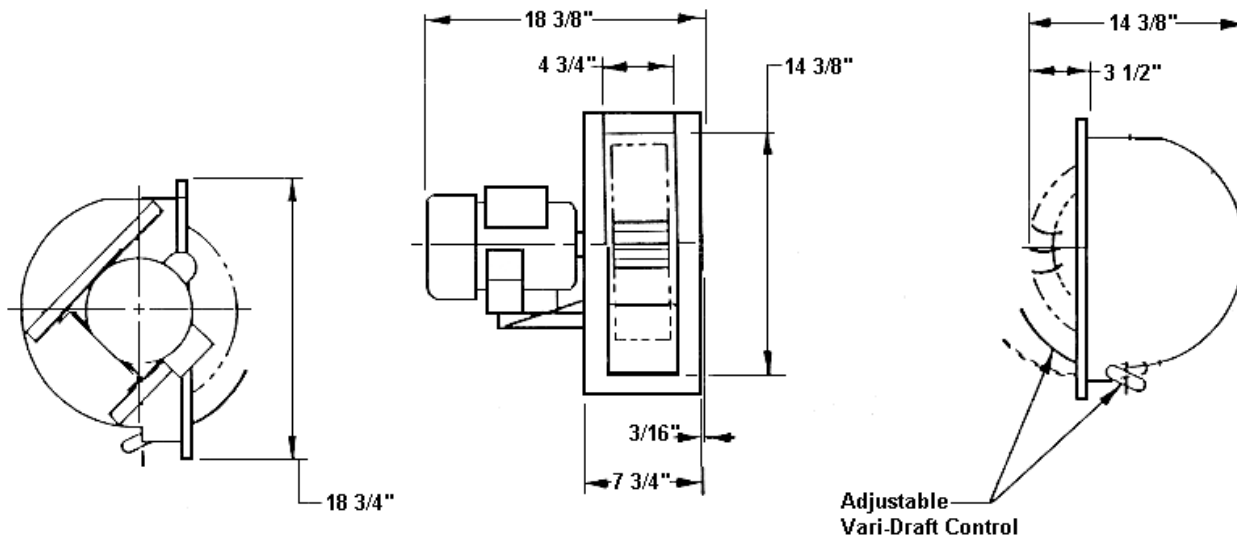
Performance curves

| MODEL NO. | PIPE SIZE IN. | GAS FIRING WITH DRAFT HOOD | | GAS FIRING WITH BAR. DRAFT CONTROL | | OIL FIRING WITH BAR. DRAFT CONTROL | | | | |
|-----------|---------------|----------------------------|----------------|------------------------------------|------------------|------------------------------------|------|------------------|----------------|------|
| | | HEATER BTU INPUT | 270°F FLUE GAS | | HEATER BTU INPUT | 390°F FLUE GAS | | HEATER BTU INPUT | 530°F FLUE GAS | |
| | | | S.P. | CFM | | S.P. | CFM | | S.P. | CFM |
| XL | 16 | 4,000,000 | .250 | 2760 | 4,000,000 | .260 | 2010 | 3,300,000 | .230 | 1763 |
| | 18 | 3,900,000 | .240 | 2650 | 3,250,000 | .240 | 1660 | 2,100,000 | .190 | 1103 |
| | 20 | 2,800,000 | .195 | 1935 | 2,100,000 | .175 | 1079 | 1,200,000 | .150 | 626 |
| | 24 | 1,500,000 | .150 | 1035 | 1,100,000 | .125 | 527 | 503,000 | .110 | 266 |



- Inputs shown are believed to be maximum capacities for inducers when mounted on pipe sizes shown for ordinary jobs where a moderate amount of mechanical induced draft is required.
- Consideration is given to typically higher static pressure requirements for larger installations, for the type of fuel burned and for the type of draft control installed.
- Where pressure requirements are unknown or believed to be unusually severe, ask for complete performance curves or consult factory.
- All ratings have been developed in our testing and research department and have been approved by a nationally known independent testing laboratory. Certification is available upon request.
- Heating capacities shown are for 1000 BTU per cubic foot natural gas and for 139,000 BTU per gallon No. 2 fuel oil. Consult factory for capacities with other fuels. Heating capacities are based on typical combustion efficiencies and allow for approximately 5 percent ambient air drawn into inducer to cool motor and drives.
- Draft Inducers should be installed in single wall vent pipe in order to insure proper performance.

Note: Tjernlund Products, Inc. reserves the right to make changes to specifications without notification.



| MOTOR SPECIFICATIONS | |
|----------------------|------------------------------------|
| ELECTRICAL DATA | |
| Volts | 115, 208-230 |
| Hertz | 60 |
| RPM | 1725 |
| Watts | 3/4 HP |
| Amps | 11 @ 115 5.4 @ 208 5.3 @ 230 |
| Therm. Prot. | Yes |



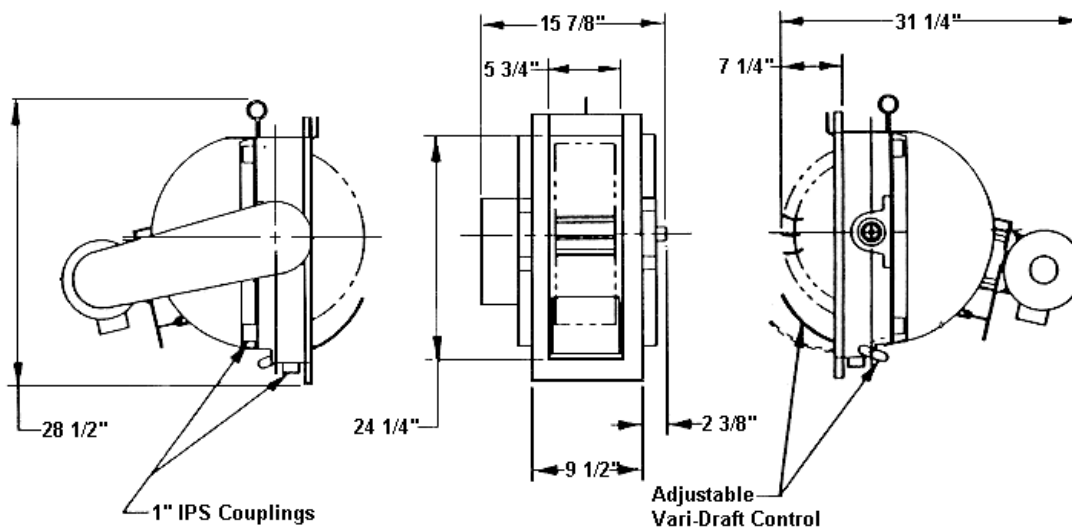
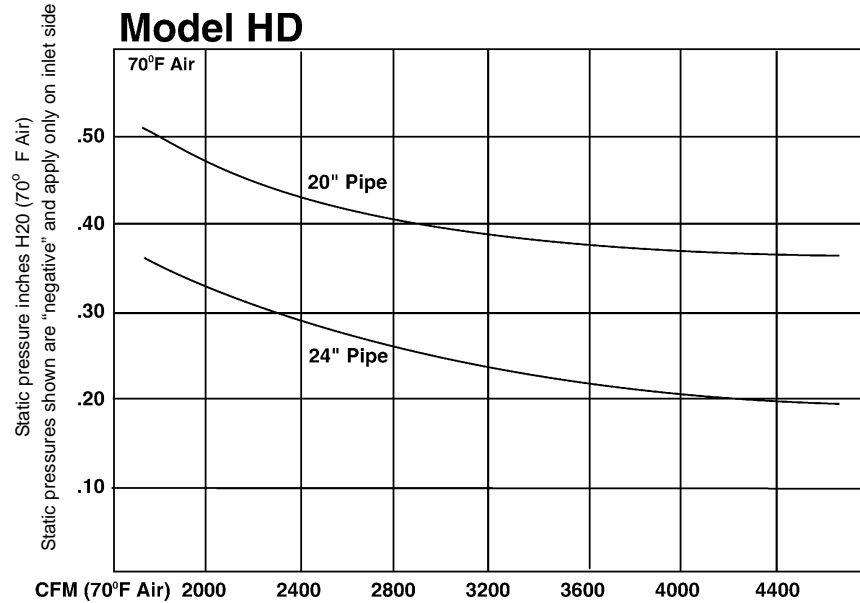
TJERNLUND PRODUCTS, INC.

1601 Ninth Street • White Bear Lake, MN 55110-6794
 PHONE (800) 255-4208 • (651) 426-2993 • FAX (651) 426-9547
 Visit our web site • www.tjernlund.com

MODEL HD DRAFT INDUCER SPECIFICATIONS

Performance curves

| MODEL | PIPE SIZE IN. | GAS FIRING WITH DRAFT HOOD | | GAS FIRING WITH BAR. DRAFT CONTROL | | OIL FIRING WITH BAR. DRAFT CONTROL | | | | |
|-------|---------------|----------------------------|----------------|------------------------------------|------------------|------------------------------------|------|------------------|----------------|------|
| | | HEATER BTU INPUT | 270°F FLUE GAS | | HEATER BTU INPUT | 390°F FLUE GAS | | HEATER BTU INPUT | 530°F FLUE GAS | |
| | | | S.P. | CFM | | S.P. | CFM | | S.P. | CFM |
| HD | 20 | 5,300,000 | .290 | 3690 | 5,200,000 | .270 | 2440 | 3,600,000 | .240 | 1870 |
| | 24 | 3,500,000 | .220 | 2415 | 3,750,000 | .220 | 1660 | 2,900,000 | .218 | 1550 |



- Inputs shown are believed to be maximum capacities for inducers when mounted on pipe sizes shown for ordinary jobs where a moderate amount of mechanical induced draft is required.
- Consideration is given to typically higher static pressure requirements for larger installations, for the type of fuel burned and for the type of draft control installed.
- Where pressure requirements are unknown or believed to be unusually severe, ask for complete performance curves or consult factory.
- All ratings have been developed in our testing and research department and have been approved by a nationally known independent testing laboratory. Certification is available upon request.
- Heating capacities shown are for 1000 BTU per cubic foot natural gas and for 139,000 BTU per gallon No. 2 fuel oil. Consult factory for capacities with other fuels. Heating capacities are based on typical combustion efficiencies and allow for approximately 5 percent ambient air drawn into inducer to cool motor and drives.
- Draft Inducers should be installed in single wall vent pipe in order to insure proper performance.

Note: Tjernlund Products, Inc. reserves the right to make changes to specifications without notification.

MOTOR SPECIFICATIONS

ELECTRICAL DATA

| | |
|--------------|--------------|
| Volts | 208-230, 460 |
| Hertz | 60 |
| RPM | 1725 |
| Watts | 2 HP |
| Amps | 6.3 @ 208 |
| | 6.4 @ 230 |
| | 3.2 @ 460 |
| Therm. Prot. | No |