

HS3 MOTOR SPECIFICATIONS

ELECTRICAL DATA

VOLTS	115
HERTZ	60
RPM	1600
HP	1/4
AMPS	2.57
THERM. PROT.	YES

MECHANICAL DATA

DESCRIPTION:

PERM. SPLIT CAP	YES
OPEN	YES
INT. FAN COOLED	NO

CASING:

DIAMETER (IN)	5.63/48 FR
NOM. LENGTH (IN)	5.00

SHAFT:

DIAMETER (IN)	.500
NOM. LENGTH (IN)	3.38

BEARINGS:

TYPE	SLEEVE
MATERIAL	BABBITED STEEL

UC1 UNIVERSAL CONTROL

Maximum Power Consumption 1/2 Amp @ 120 VAC 50/60 Hz + Venter motor load

Pre-Purge: Options (0,15,30,60 seconds)

Post-Purge: Factory set at 2 minutes
Options (0,30 seconds; 1,2,4,8,16 minutes)

Dimensions: 5" x 8" (2' electrical whip inc.)

FAN PROVING SWITCH

5 VDC UC1 board supplied power switched through Fan Prover. UC1 burner / gas valve interlock rated for 1 H.P. @ 120 VAC.

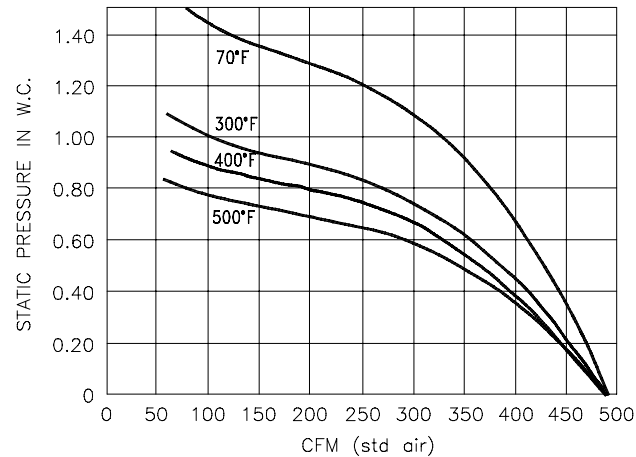


TJERNLUND PRODUCTS, INC.

1601 Ninth Street • White Bear Lake, MN 55110-6794
PHONE (800) 255-4208 • (651) 426-2993 • FAX (651) 426-9547
Visit our web site • www.tjernlund.com

HS3 POWER VENTER SPECIFICATIONS

HS3 FAN CURVE WITH DAMPER OPEN



DESCRIPTION OF APPLICATION

Used as a means of Side Wall Venting commercial gas appliances. Used also to co-vent multiple heaters within combined BTU/hr. input listed below (requires accessory controls). Includes a Fan Proving Switch and the UC1 Universal Control for 24V, 115V or "dry contact" actuation. LED diagnostics and Pre / Post-purge options are standard with the UC1.

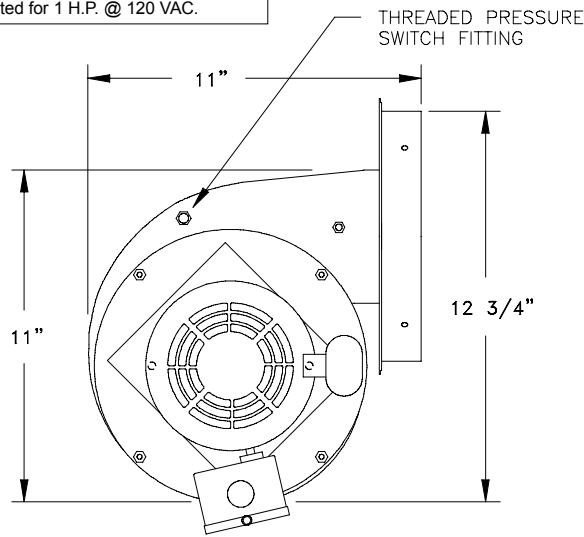
HS-3 (Discontinued 7/02)

Replace with model HS3.

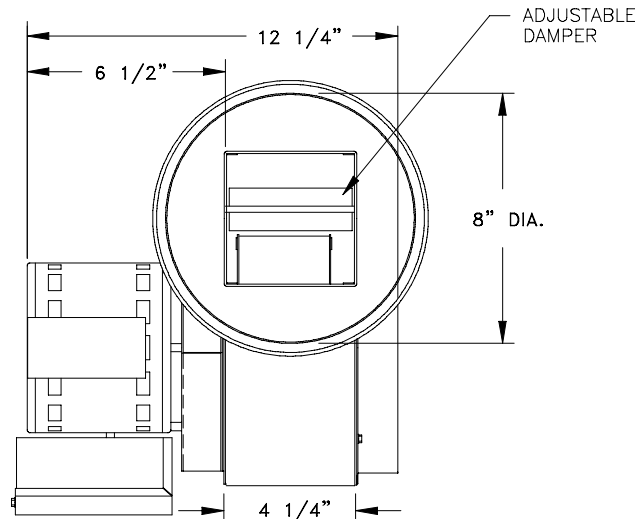
Note: Tjernlund Products, Inc. reserves the right to make changes to specifications without notification.

MODEL NUMBERS	VENT PIPE DIA.	BTU/HR INPUT	MAXIMUM PIPE LENGTH (FT) AT STACK TEMP	
			100% DILUTION, 300°F	25% DILUTION, 400°F
HS3	8"	450,000	100'	100'
		500,000	100'	100'
115 VAC 1/4 HP 2.7 AMP	10"	600,000	100'	100'
		700,000	7'	100'
		450,000	100'	100'
		500,000	100'	100'
		600,000	100'	100'
		700,000	21'	100'

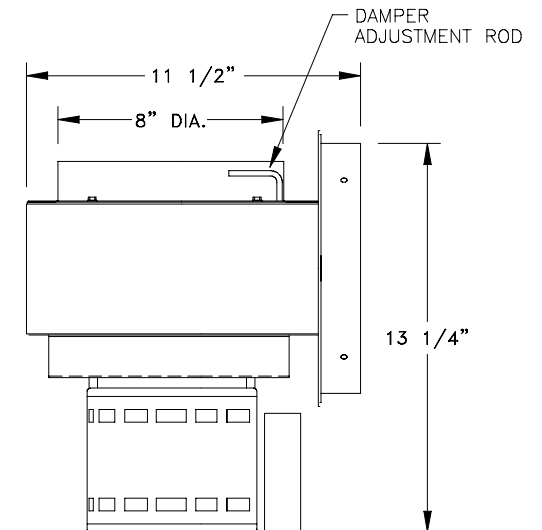
P/N 8506002 REV B 10/02
D/N 2152054



— SIDE VIEW —



— END VIEW —



— PLAN VIEW —

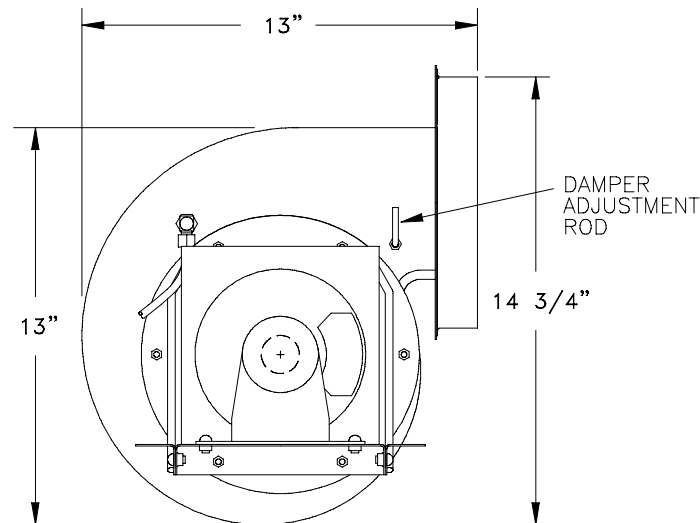
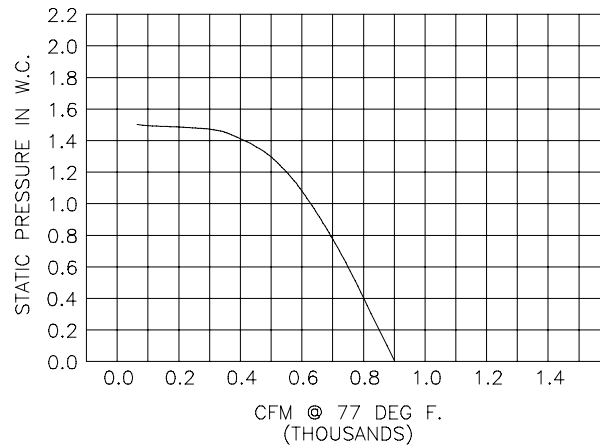


TJERNLUND PRODUCTS, INC.

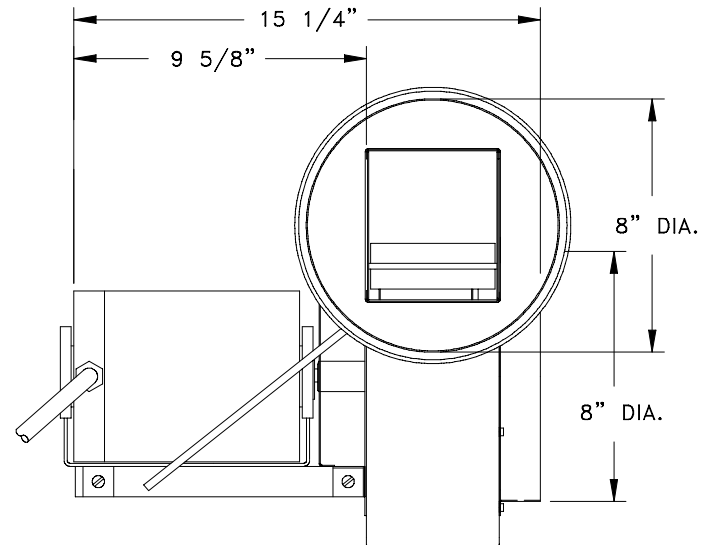
1601 Ninth Street • White Bear Lake, MN 55110-6794
 PHONE (800) 255-4208 • (651) 426-2993 • FAX (651) 426-9547
 Visit our web site • www.tjernlund.com

HS4 POWER VENTER SPECIFICATIONS

HS4 FAN CURVE WITH DAMPER OPEN



— SIDE VIEW —



— END VIEW —

HS4 MOTOR SPECIFICATIONS

ELECTRICAL DATA

VOLTS	115
HERTZ	60
RPM	1725
HP	1/3
AMPS	5.8
THERM. PROT.	YES

MECHANICAL DATA

DESCRIPTION:

SPLIT PHASE CAP STARTYES	
OPEN	YES
INT. FAN COOLED	NO

CASING:

DIAMETER (IN)	5.63/48 FR
NOM. LENGTH (IN)	8.58

SHAFT:

DIAMETER (IN)	.500
NOM. LENGTH (IN)	1.56

BEARINGS:

TYPE	SLEEVE
MATERIAL	BABBITED STEEL

UC1 UNIVERSAL CONTROL

Maximum Power Consumption 1/2 Amp @ 120 VAC
 50/60 Hz + Venter motor load

Pre-Purge: Options (0,15,30,60 seconds)

Post-Purge: Factory set at 2 minutes
 Options (0,30 seconds; 1,2,4,8,16 minutes)

Dimensions: 5" x 8" (2" electrical whip inc.)

FAN PROVING SWITCH

5 VDC UC1 board supplied power switched through
 Fan Prover. UC1 burner / gas valve interlock rated
 for 1 H.P. @ 120 VAC.

DESCRIPTION OF APPLICATION

Used as a means of Side Wall Venting commercial gas appliances. Used also to co-vent multiple heaters within combined BTU/hr. input listed below (requires accessory controls). Includes a Fan Proving Switch and the UC1 Universal Control for 24V, 115V or "dry contact" actuation. LED diagnostics and Pre / Post-purge options are standard with the UC1.

HS-4 (Discontinued 7/02)

Replace with model HS4.

Note: Tjernlund Products, Inc. reserves the right to make changes to specifications without notification.

MODEL NUMBERS	VENT PIPE DIA.	BTU/HR INPUT	MAXIMUM PIPE LENGTH (FT) AT STACK TEMP	
			100% DILUTION, 300°F	25% DILUTION, 400°F
HS4 115 VAC 1/3 HP 5.8 AMP	8"	700,000	100'	100'
		800,000	100'	100'
		900,000	100'	100'
		1,000,000	70'	100'
		1,100,000	32'	100'
		1,200,000	5'	100'
	10"	700,000	100'	100'
		800,000	100'	100'
		900,000	100'	100'
		1,000,000	100'	100'
		1,100,000	97'	100'
		1,200,000	14'	100'
12"	700,000	100'	100'	
	800,000	100'	100'	
	900,000	100'	100'	
	1,000,000	100'	100'	
	1,100,000	100'	100'	
	1,200,000	34'	100'	



TJERNLUND PRODUCTS, INC.

1601 Ninth Street • White Bear Lake, MN 55110-6794
 PHONE (800) 255-4208 • (651) 426-2993 • FAX (651) 426-9547
 Visit our web site • www.tjernlund.com

HS5 MOTOR SPECIFICATIONS

ELECTRICAL DATA	
VOLTS	115,208-230
HERTZ	60
RPM	1725
HP	1
FL AMPS	6.2 @ 208 6.3 @ 230 12.6 @ 115V
THERM. PROT.	YES

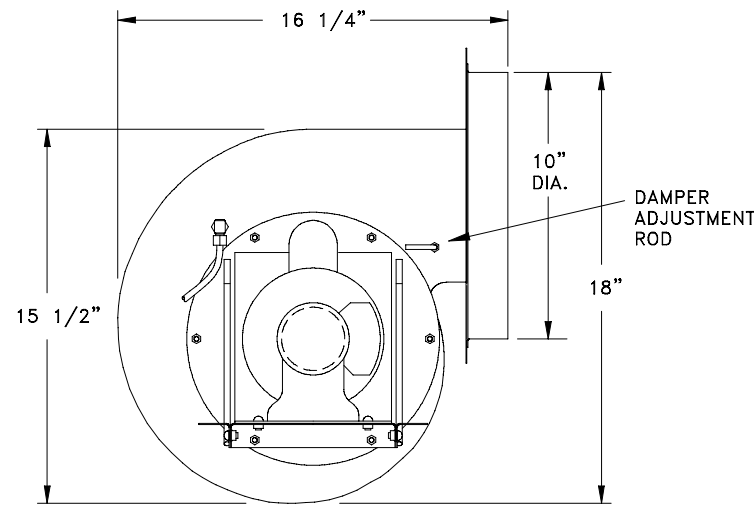
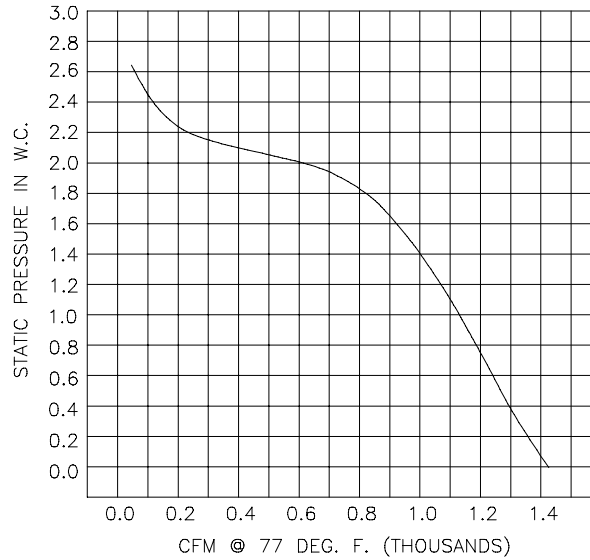
MECHANICAL DATA	
DESCRIPTION:	
SPLIT PHASE CAP START	YES
OPEN	YES
INT. FAN COOLED	NO
CASING:	
DIAMETER (IN)	6.38/56 FR
NOM. LENGTH (IN)	9.38
SHAFT:	
DIAMETER (IN)	.625
NOM. LENGTH (IN)	1.94
BEARINGS:	
TYPE	SLEEVE
MATERIAL	BABBITED STEEL

UC1 UNIVERSAL CONTROL
 Maximum Power Consumption 1/2 Amp @ 120 VAC 50/60 Hz + Venter motor load
 Pre-Purge: Options (0,15,30,60 seconds)
 Post-Purge: Factory set at 2 minutes
 Options (0,30 seconds; 1,2,4,8,16 minutes)
 Dimensions: 5" x 8" (2' electrical whip inc.)

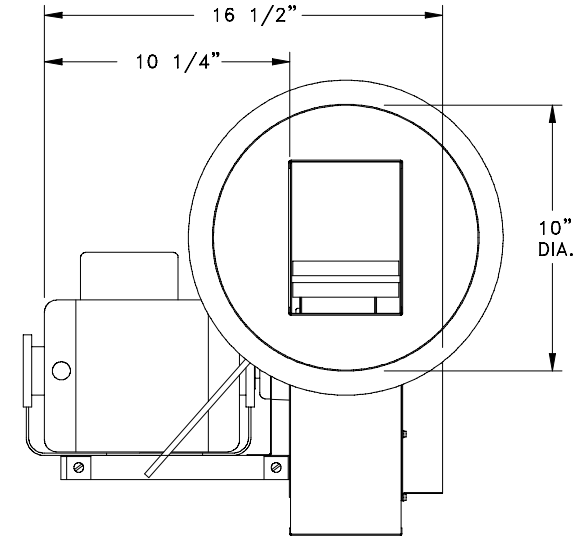
FAN PROVING SWITCH
 5 VDC UC1 board supplied power switched through Fan Prover. UC1 burner / gas valve interlock rated for 1 H.P. @ 120 VAC.

HS5 POWER VENTER SPECIFICATIONS

HS5 FAN CURVE WITH DAMPER OPEN



— SIDE VIEW —



— END VIEW —

DESCRIPTION OF APPLICATION

Used as a means of Side Wall Venting commercial gas appliances. Used also to co-vent multiple heaters within combined BTU/hr. input listed below (requires accessory controls). Includes a Fan Proving Switch and the UC1 Universal Control for 24V, 115V or "dry contact" actuation. LED diagnostics and Pre / Post-purge options are standard with the UC1.

HS-5 (Discontinued 7/02)

Replace with model HS5.

Note: Tjernlund Products, Inc. reserves the right to make changes to specifications without notification.

MODEL NUMBERS	VENT PIPE DIA.	BTU/HR INPUT	MAXIMUM PIPE LENGTH (FT) AT STACK TEMP	
			100% DILUTION, 300°F	25% DILUTION, 400°F
			GAS FIRED ATMOSPHERIC WITH DRAFT HOOD OR DRAFT DIVERTER	GAS FIRED POWER BURNER WITH BAROMETRIC DRAFT CONTROL
HS5 115/208/230 VAC 1 HP 6.2 AMP @ 208 6.3 AMP @ 230 12.6 AMP @ 115	10"	1,200,000	100'	100'
		1,400,000	100'	100'
		1,600,000	100'	100'
	12"	1,825,000	29'	100'
		1,200,000	100'	100'
		1,400,000	100'	100'
14"	1,600,000	100'	100'	
	1,825,000	100'	100'	
	1,825,000	100'	100'	

208-230 VAC motor wiring is not compatible with the UC1 Control. A 115 VAC coil / 230 VAC contact DPST motor contactor rated for 1 H.P. is required.