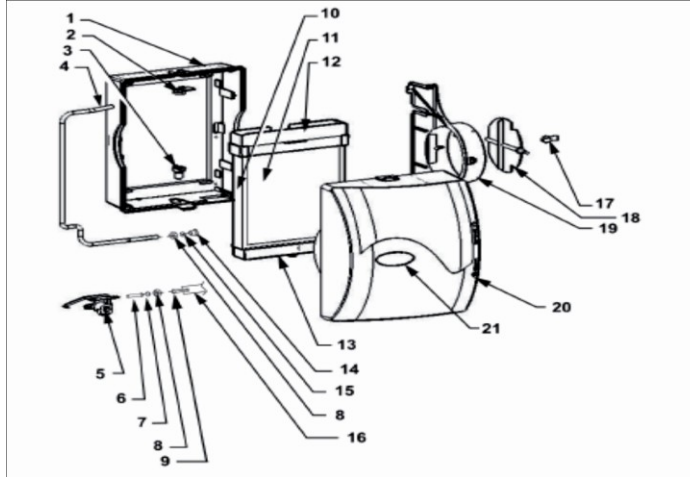




**MODEL 900 ELITE SERIES
FLOW THRU HUMIDIFIER
17 GPD
10 YEAR WARRANTY**



Item	Description	Product Code
	C/W X3 Digital Stat	GF-900DMD
	C/W MHX3 Manual Stat	GF-900DMM
1	Chasis	GF-900-1
2	Nozzle	GF-900-9
3	Spout	GF-900-10
4	Distributor Tube	GF-GA4266
5	Solenoid Valve	GF-GA4040
6	Strainer Screen	GF-GA4004
7	Compression Sleeve (copper)	GF-P102
	Compression Sleeve (plastic)	GF-P190
8	Compression Nut	GF-P101
9	Brass Insert Tube	GF-P189
10	Pad Rail	GF-900-40
11	Vapor Pad	GF-GA19
12	Distributor Trough	GF-900-15
13	Drain Pan	GF-900-14
14	Orifice (Yellow)	GF-GA4231
15	Compression Sleeve (plastic)	GF-P190
16	Tubing Kit	GP-81-60
17	Damper Knob	GF-900-11
18	Damper Disk	GF-900-28
19	Side Panel	GF-900-2
20	Cover	GF-900-13
21	Name Plate	GF-900-16
ITEMS NOT SHOWN		
	Digital Stat	GF-X3
	Manual Humidistat	GF-MHX3
	Transformer	GP-81-45
	Saddle Valve Assy. – Self Tapping	GP-81-51SPV
	By-Pass With Collar	GP-81-57
	Metal Plenum Ring	GP-1040-13
	Low Voltage Wire	GP-81-24
	Drain Hose	GF-990-31
	Drain Hose Clamp	GP-P131

